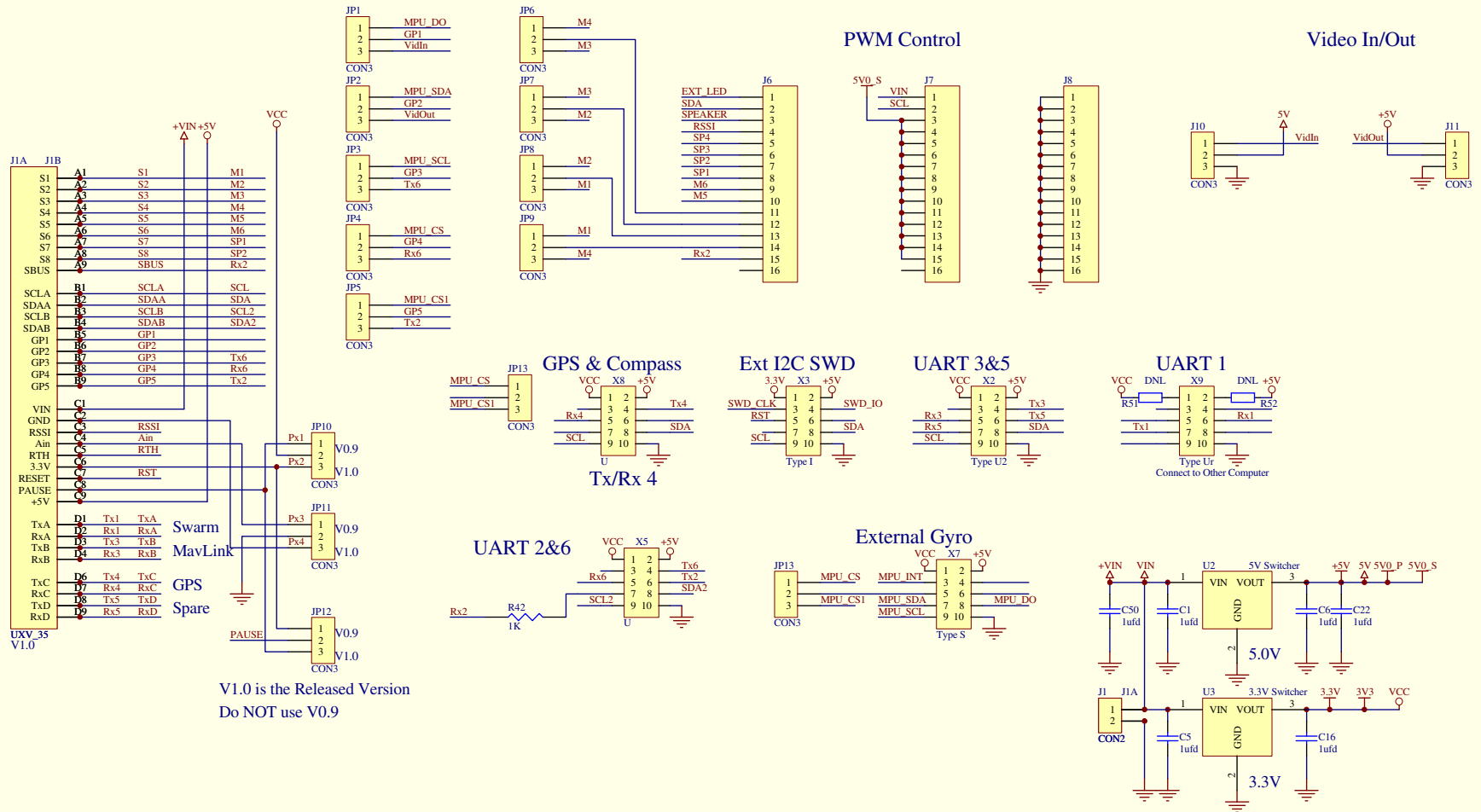


UxV/35 SBIR 320 Dual Carrier



V1.0 is the Released Version
Do NOT use V0.9

Kairos Autonomi, Cage Code: 4ESW8
www.kairosautonomi.com, Sandy, Utah, USA
©2007-23, Kairos Autonomi. All rights reserved
Patented Technology

Title: UxV/35 SBIR 320 Dual Carrier		
Size: B	Number: DJPCB-619B-14	Revision:
Date: 3-Jun-2024	Sheet of:	
File: D:\Prote99SE\Active\Kairos_UxV35.ddb	Drawn By:	

